

BATTERY POSITIVE TERMINAL (8W-20-3)

ENGINE STARTER MOTOR (8W-21-3,4)

no change

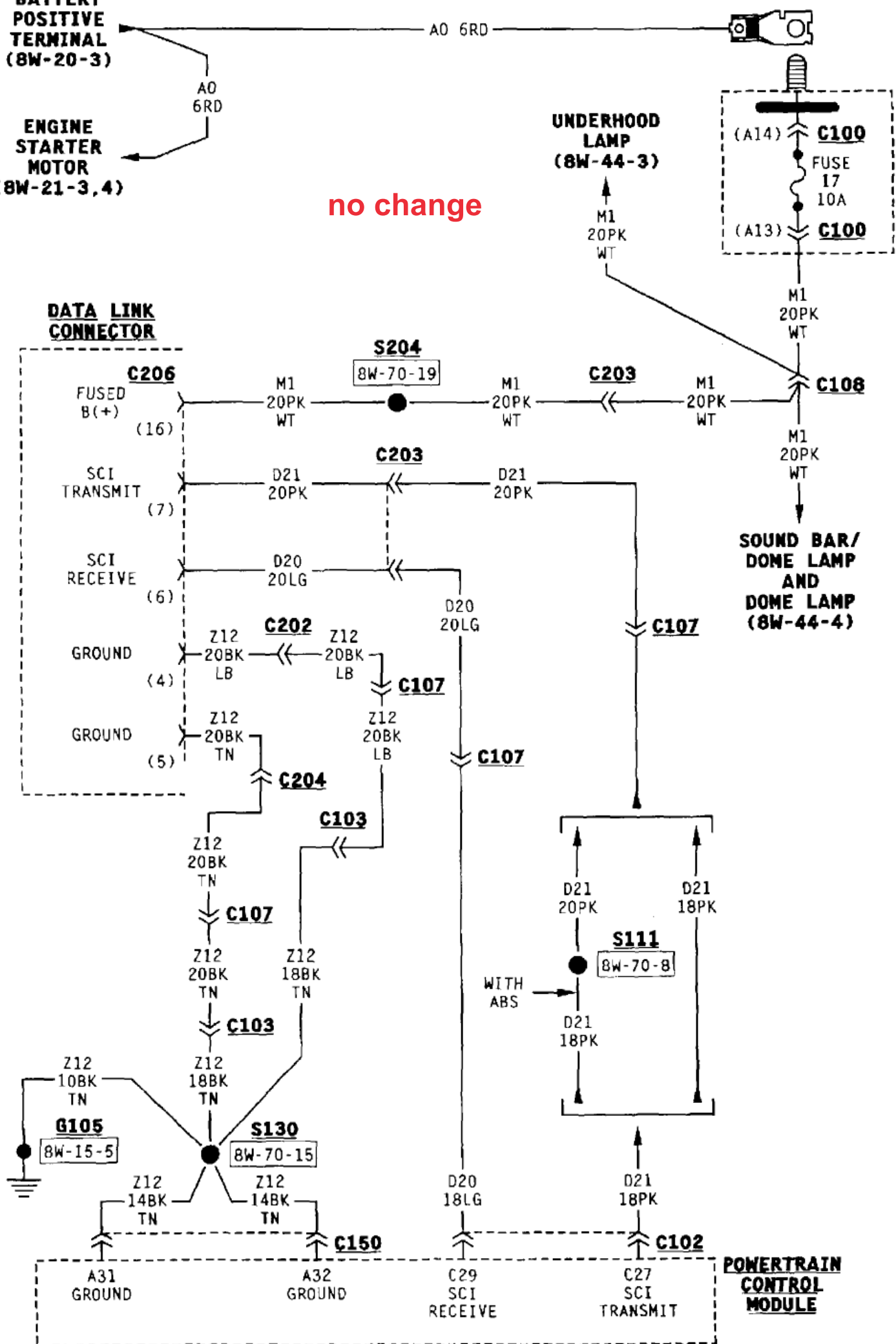
POWER DISTRIBUTION CENTER

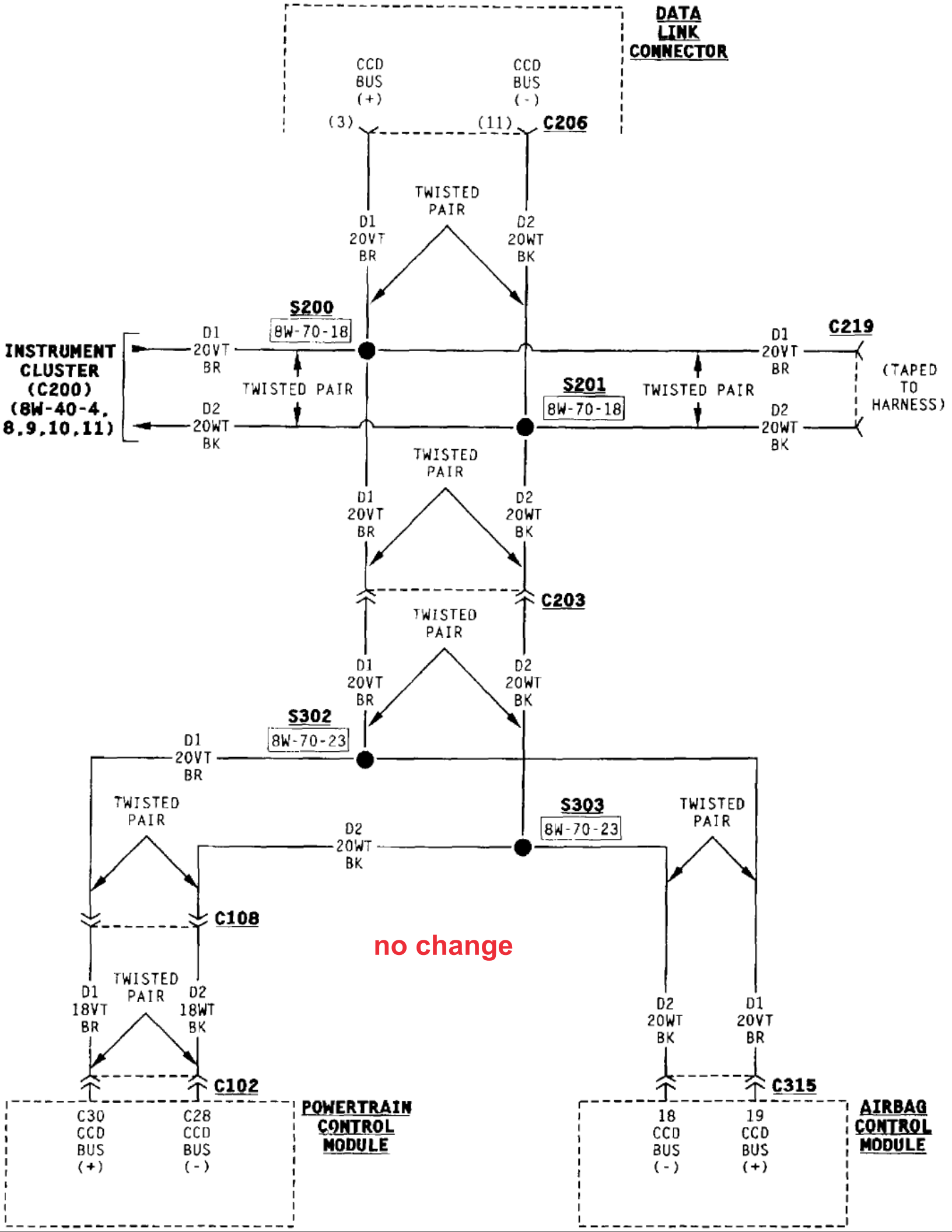
UNDERHOOD LAMP (8W-44-3)

SOUND BAR/ DOME LAMP AND DOME LAMP (8W-44-4)

DATA LINK CONNECTOR

POWERTRAIN CONTROL MODULE



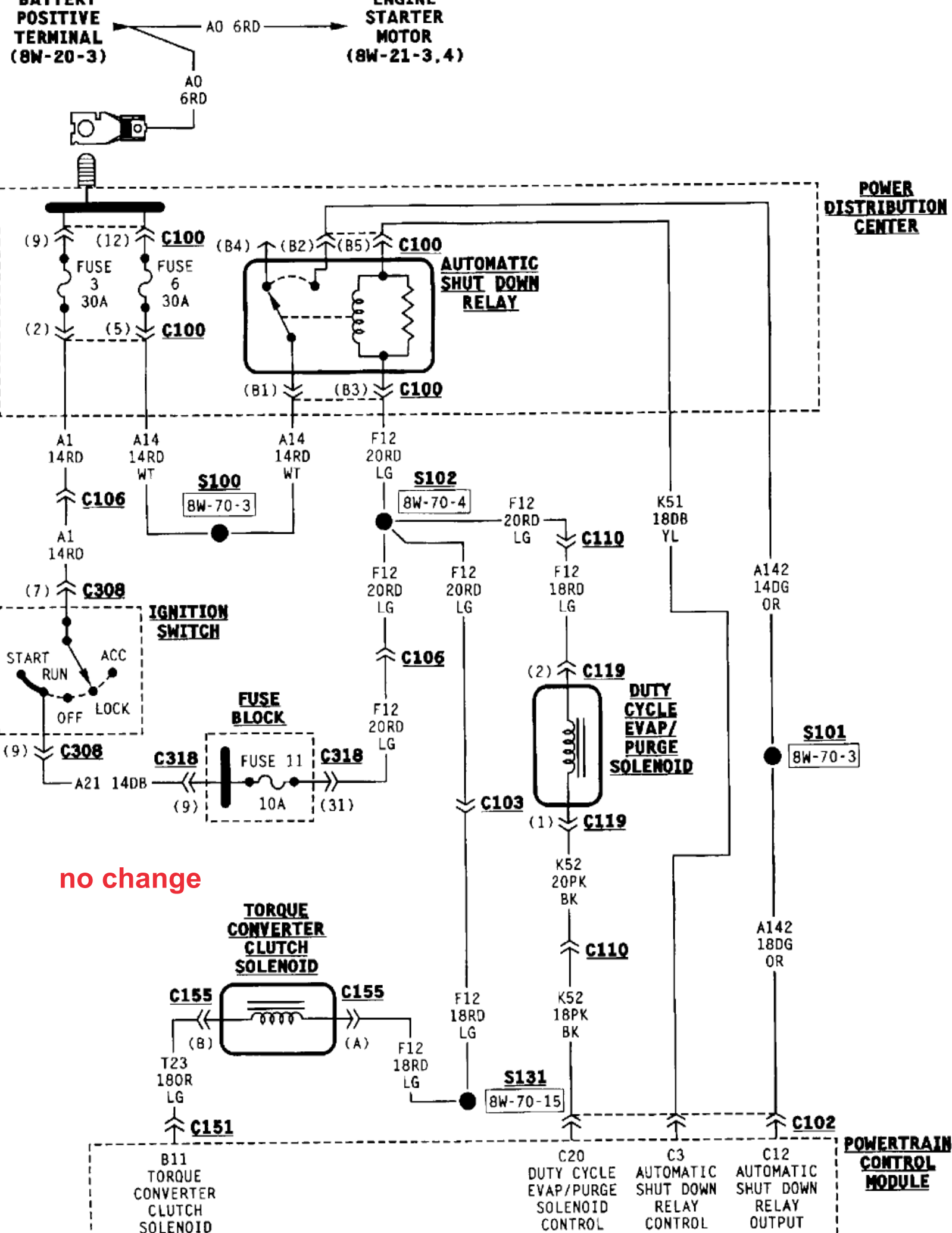


**BATTERY
POSITIVE
TERMINAL
(8W-20-3)**

**ENGINE
STARTER
MOTOR
(8W-21-3,4)**

**POWER
DISTRIBUTION
CENTER**

**POWERTRAIN
CONTROL
MODULE**



no change

AUTOMATIC SHUT DOWN RELAY (8W-30-11) (8W-11-8)

S101
8W-70-3

C103

A142 14DG/OR ———●———— A142 16DG/OR

A142 16DG BK

S128
8W-70-14

S126
8W-70-13

WITH 2.5L ENG

WITH 4.0L ENG

WITH 4.0L ENG

A142 18DG BK

A142 18DG BK

A142 18DG BK

A142 18DG BK

A142 18DG BK

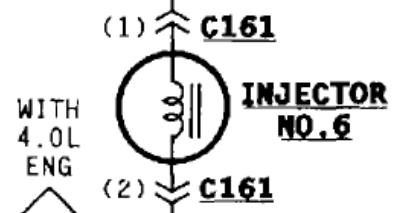
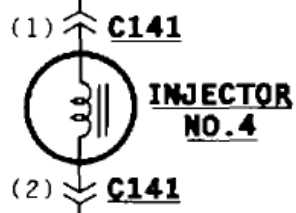
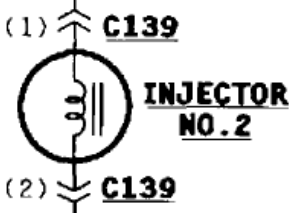
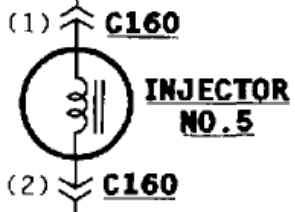
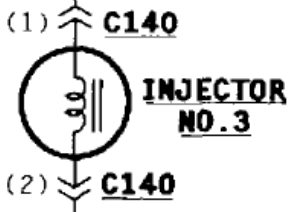
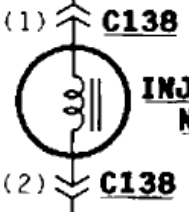
A142 18DG BK

A142 18DG BK

A142 18DG BK

A142 18DG BK

A142 18DG BK



X
K11
18WT
DB

X
K12
18TN

X
K13
18YL
WT

X
K14
18LB
BR

X
K15
18PK
BK

X
K16
18LG
BK

C151

B4
INJECTOR NO. 1 DRIVER

B15
INJECTOR NO. 2 DRIVER

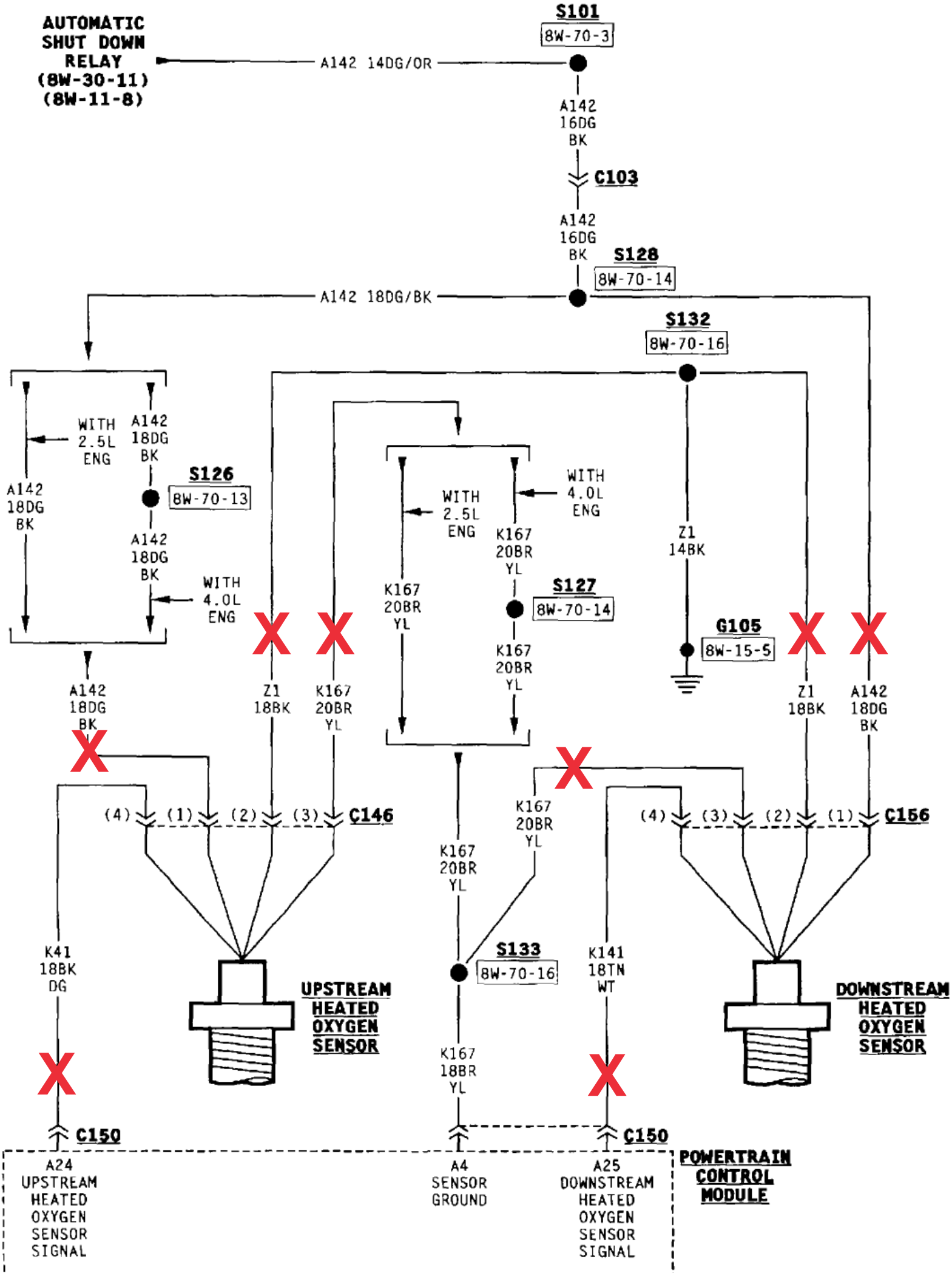
B5
INJECTOR NO. 3 DRIVER

B16
INJECTOR NO. 4 DRIVER

B6
INJECTOR NO. 5 DRIVER

B12
INJECTOR NO. 6 DRIVER

POWERTRAIN CONTROL MODULE

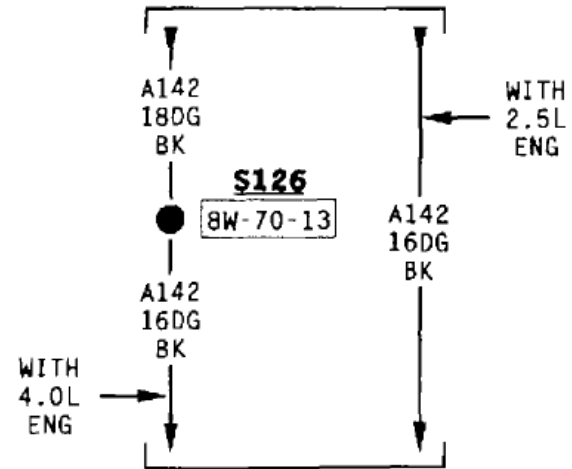
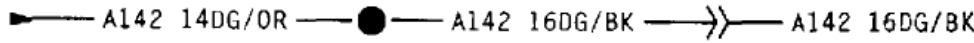


AUTOMATIC SHUT DOWN RELAY
(8W-30-11)
(8W-11-8)

S101
8W-70-3

C103

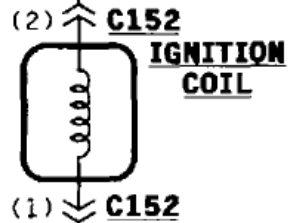
S128
8W-70-14



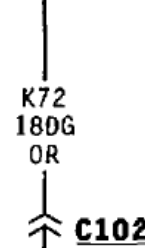
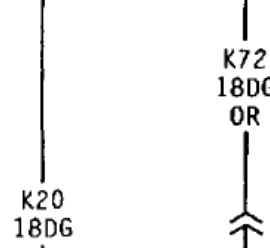
X

IDLE AIR CONTROL MOTOR

A142 16DG BK

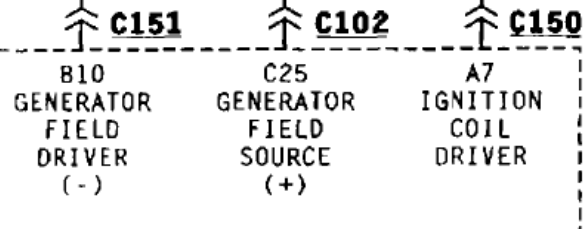
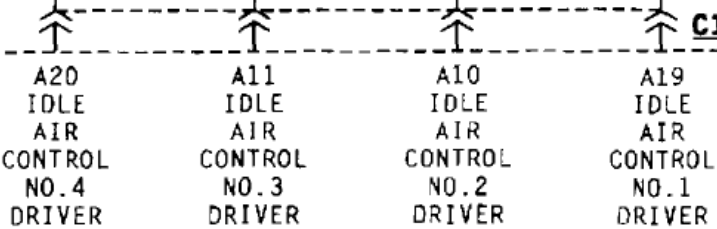


GENERATOR (8W-20-3)

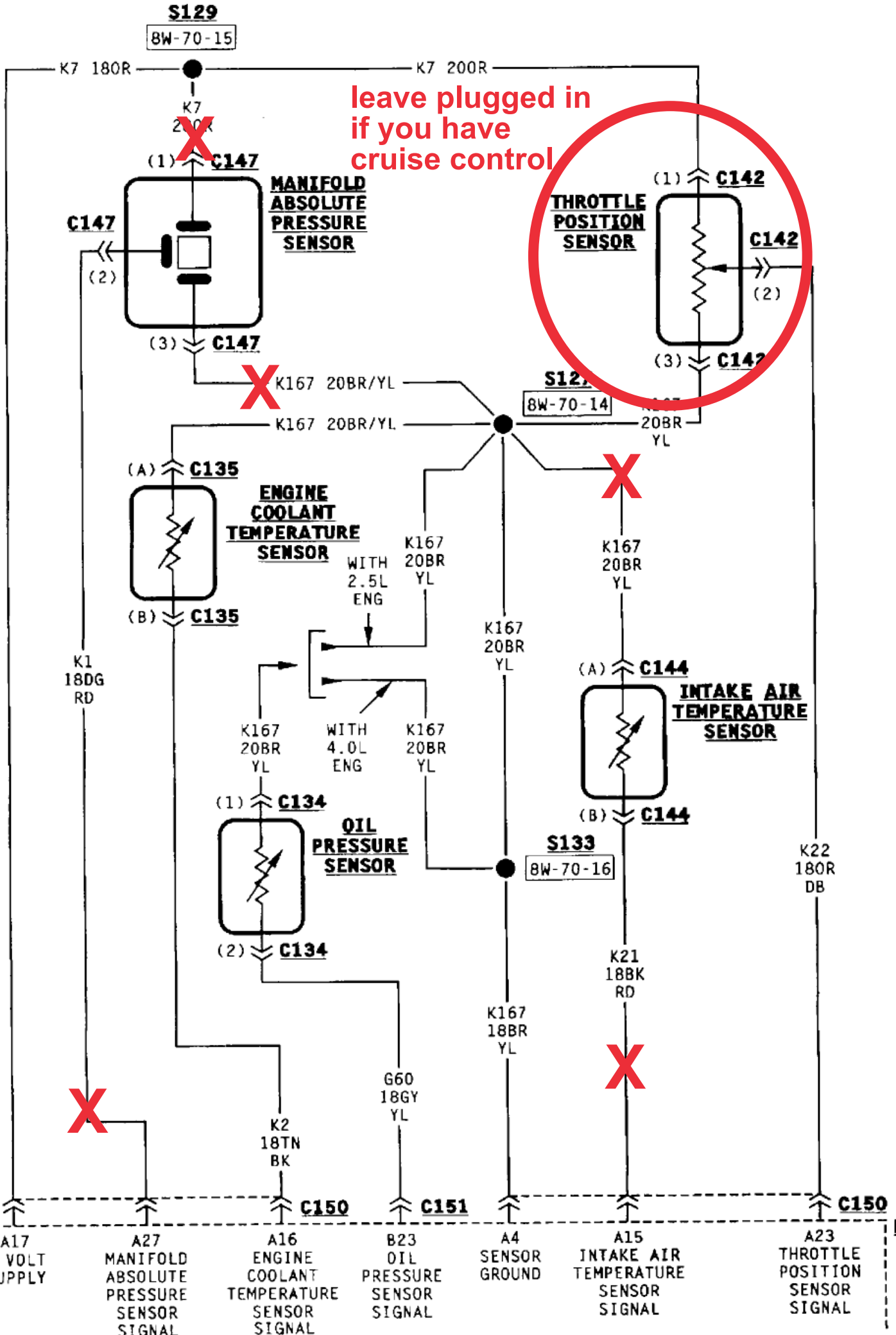


IDLE AIR CONTROL NO. 4 DRIVER
IDLE AIR CONTROL NO. 3 DRIVER
IDLE AIR CONTROL NO. 2 DRIVER
IDLE AIR CONTROL NO. 1 DRIVER

(A) (B) (C) (D) **C143**



POWERTRAIN CONTROL MODULE



S129
8W-70-15

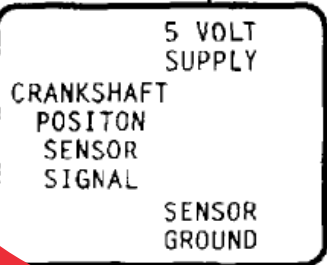
K7
200R

K7
200R

(1) C145

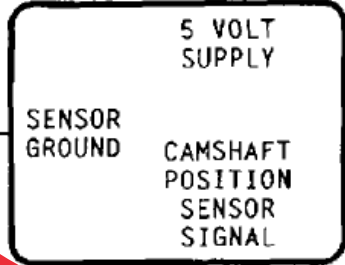
(1) C153

C145



CRANKSHAFT POSITION SENSOR

C153



CAMSHAFT POSITION SENSOR

(2) C145

(3) C153

Cut & Extend to front of engine you will re-use the sensor on the crank kit

Cut & Extend to front of engine you will re-use the sensor on the cam kit

K107
20BR
YL

S127
8W-70-14

K167
20BR
YL

K167
20BR
YL

S133
8W-70-16

K44
18TN
YL

K7
180R

K24
18GY
BK

K167
18BR
YL

C150

C150

C150

A17
5 VOLT SUPPLY

A8
CRANKSHAFT POSITION SENSOR SIGNAL

A4
SENSOR GROUND

A18
CAMSHAFT POSITION SENSOR SIGNAL

POWERTRAIN CONTROL MODULE

